



NIVELLA

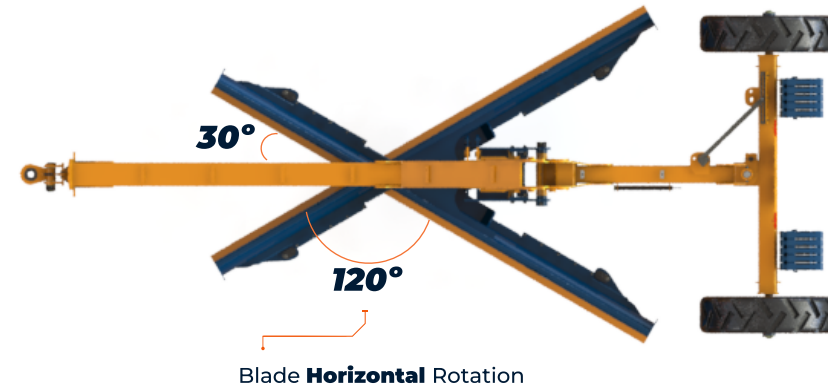
YOUR SOIL TO THE NEXT LEVEL





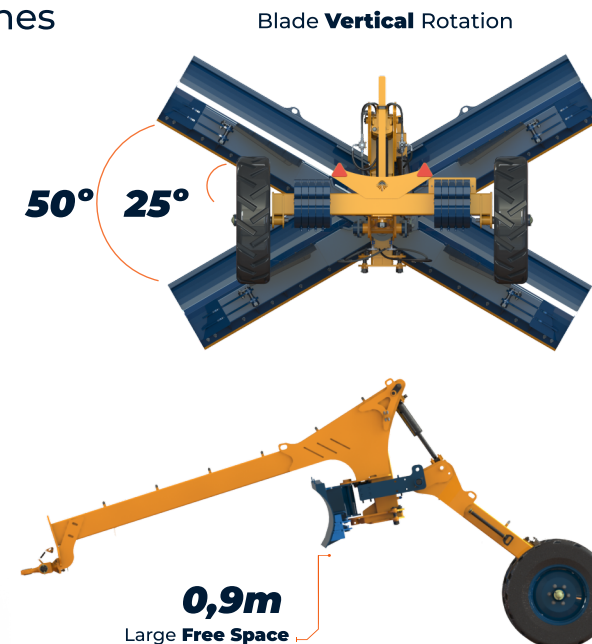
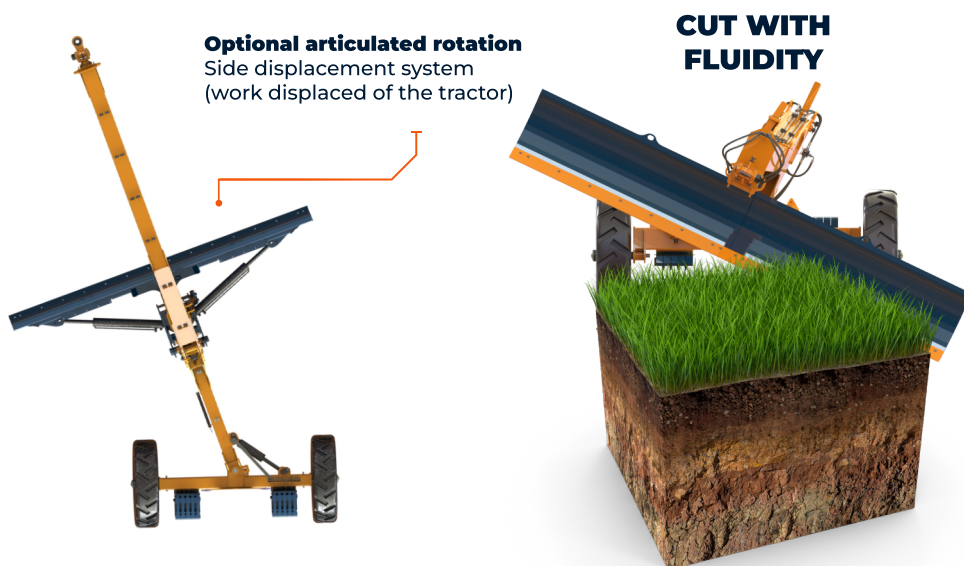
SPECIFICATIONS	NIVELLA 385	NIVELLA 585
Blade Width (m)	4.26	4.26
Approximate Total Length (m)	6.2	6.8
Approximate Total Weight (Kg)	1850	2200
Approximate Total Weight with Ballast (kg)	2250	2600
Wheelset External Width (m)	2,75	2,75
Height with Raised Blade	2,55	2,6
Total height of the Nivella (m)	1.65	1.70
Blade Height Approximately (m)	0.9	0.9
Minimum Recommended Tractor Power (hp)	80	95
Maximum Recommended Tractor Power (hp)	140	160
Blade Vertical Rotation	25°	25°
Blade Horizontal Rotation	120°	120°
Ballast (10 units 40 kg)	Optional	Series Item
Blade Undercut	Series Item	Series Item
Drives	Double Command Hydraulic	Double Command Hydraulic
Tires	2 unid. 12.4-24	2 unid. 12.4-24
FINAME CODE	4028787	

GREATER VERSATILITY



TO ACHIEVE OPTIMAL PERFORMANCE, YOU NEED VERSATILITY

NIVELLA was designed to perform soil levelling, construction work, road recovery, construction of ditches and waterways.



NIVELLA

NIVELLA your soil to the next level!

DISCOVER real solutions to the **AGRI**